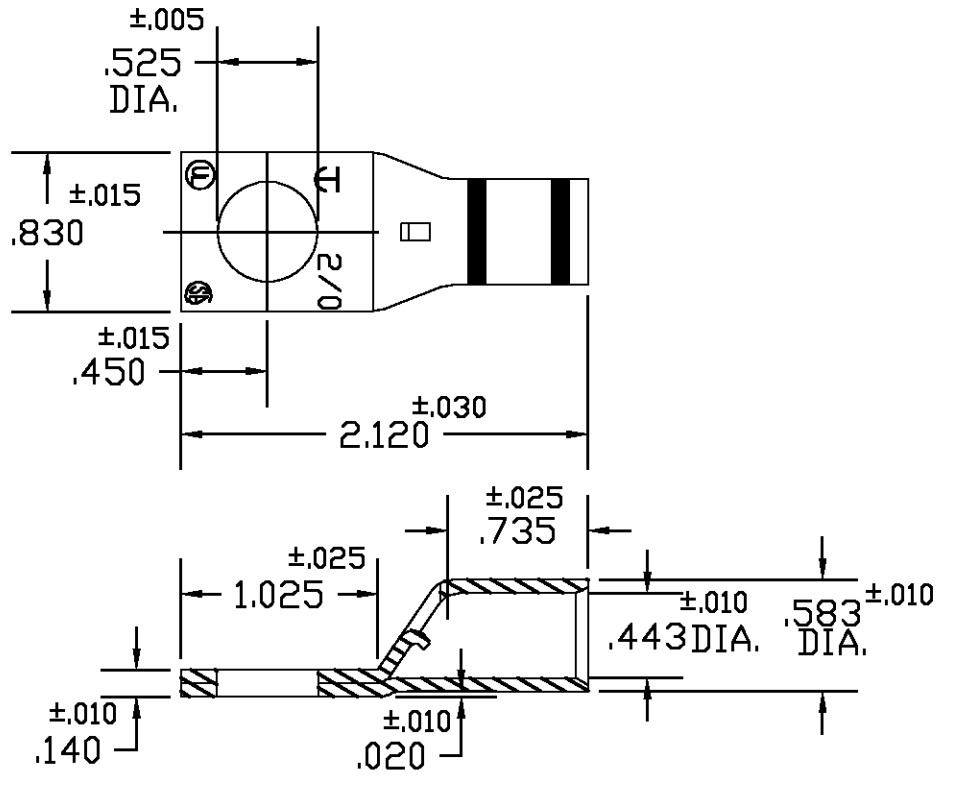


THIS DRAWING IS UNPUBLISHED. RELEASED FOR PUBLICATION
 © COPYRIGHT BY TYCO ELECTRONICS CORPORATION. ALL RIGHTS RESERVED.

LOC	DIST	REVISIONS					
		P	LTR	DESCRIPTION	DATE	DWN	APVD
G	50		A	REV PER 0G3H-0024-04	22JAN04	JR	MS



COLOR CODED BLACK

ACTIVE	20507	STANDARD	COLOR CODED	1527237-3
STATUS	AET P/N	PACKAGING	FINISH	PART NUMBER

THIS DRAWING IS A CONTROLLED DOCUMENT.		DWN D.A.A 11/15/00	Tyco Electronics Corporation Harrisburg, PA 17105-3608		
DIMENSIONS: INCHES		CHK H.D.F 11/15/00			
		APVD H.D.F 11/15/00	NAME TUBULAR TERMINAL #2/0 STD. BARREL		
TOLERANCES UNLESS OTHERWISE SPECIFIED:		PRODUCT SPEC	SIZE A3		
0 PLC ± -		APPLICATION SPEC	CAGE CODE 00779	DRAWING NO C-1527237	RESTRICTED TO
1 PLC ± -		WEIGHT	-		
2 PLC ± -		CUSTOMER DRAWING			
3 PLC ± -		SCALE	1:1		
4 PLC ± -		SHEET	1 OF 1		
ANGLES ± -		REV	A		
FINISH		-			
MATERIAL COPPER ASTM B-75		-			